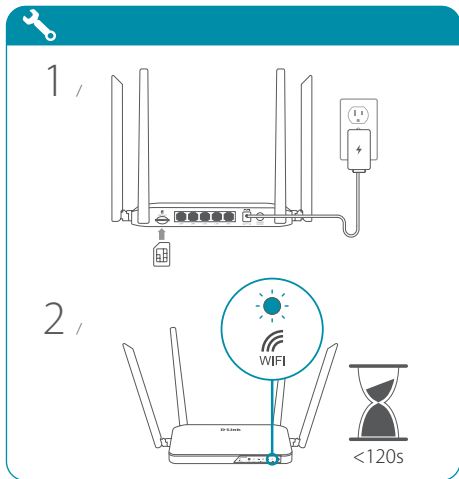
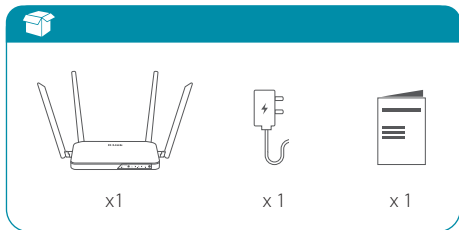


## Quick Start Guide

G403

N300 4G Smart Router



<https://eu.dlink.com/support>

