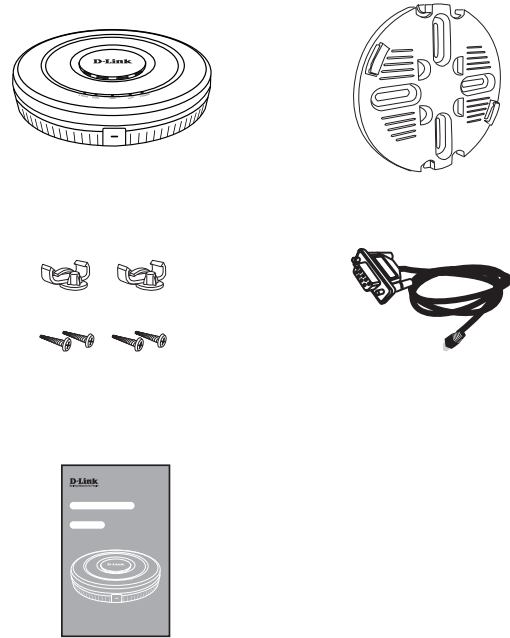
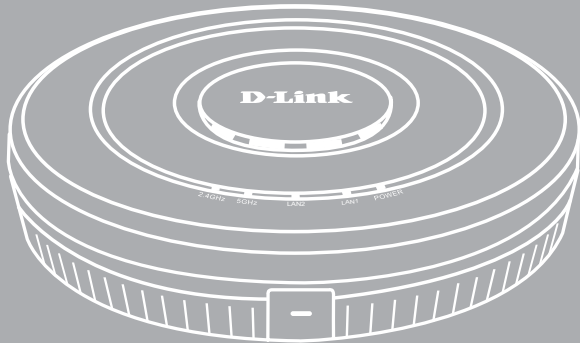
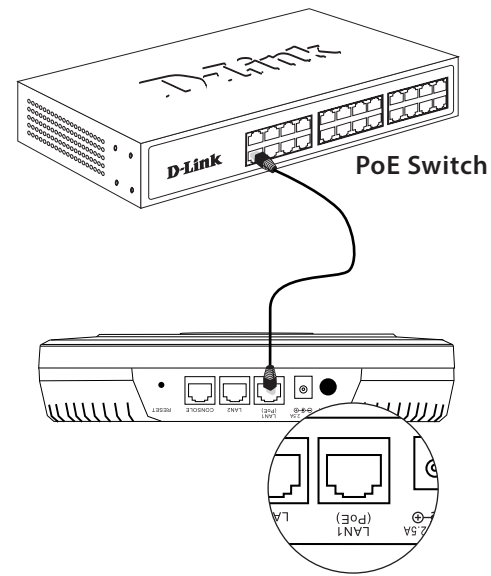


# Quick Start Guide

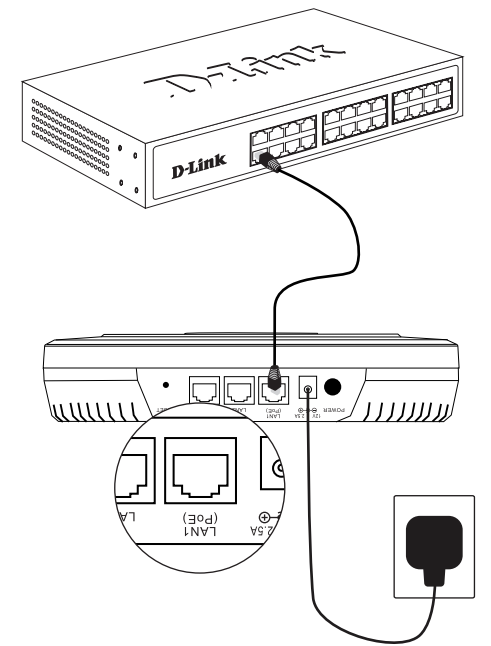
DWL-X8630AP/ DWL-8620AP/ DWL-8620APE/  
 DWL-7620AP/ DWL-6620APS/  
 DWL-6610APB1/ DWL-6610APE



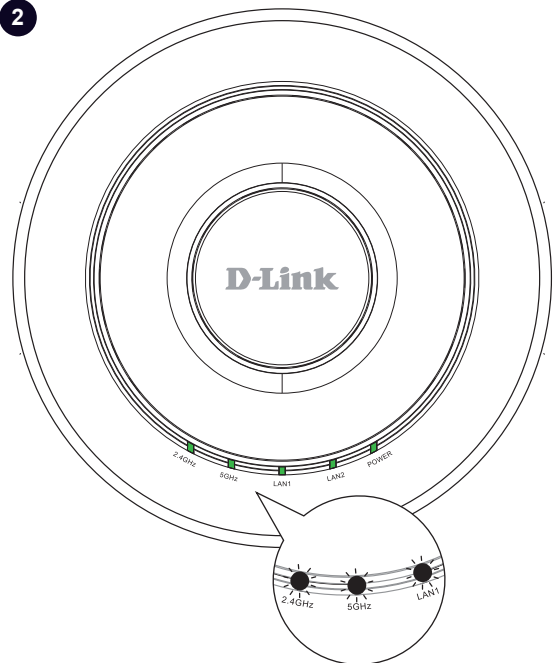
1



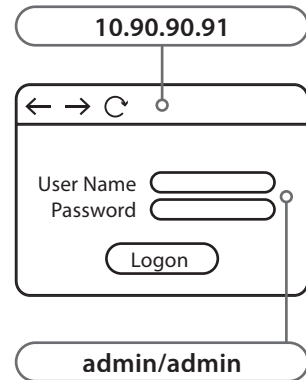
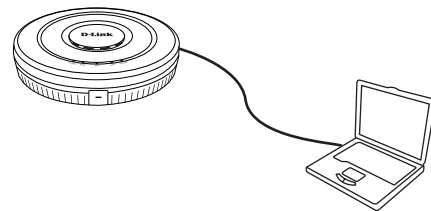
OR



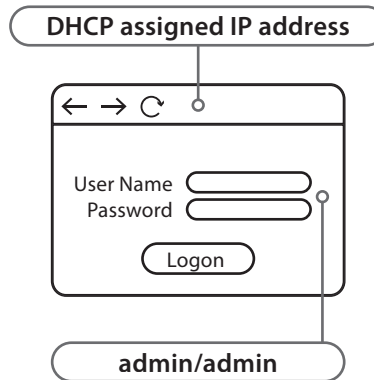
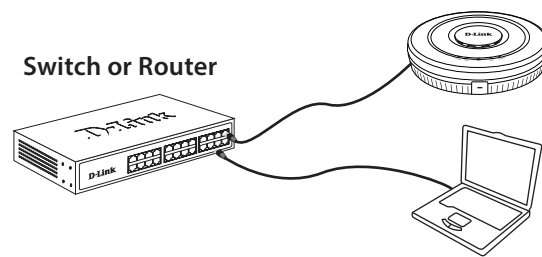
2



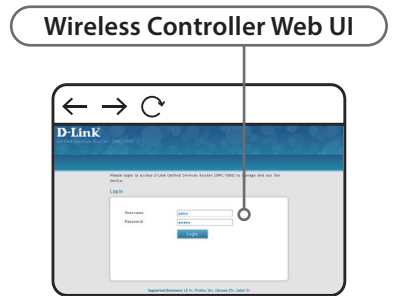
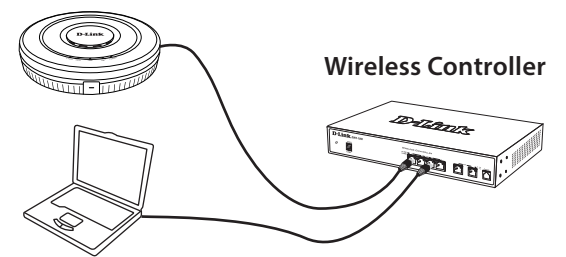
3



OR

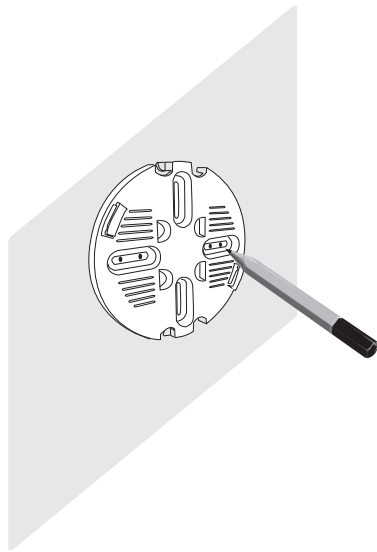


OR

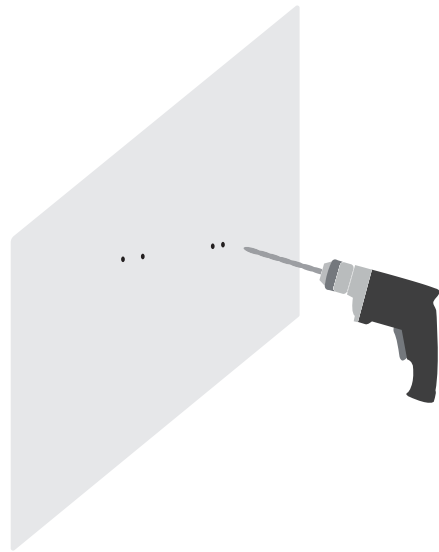




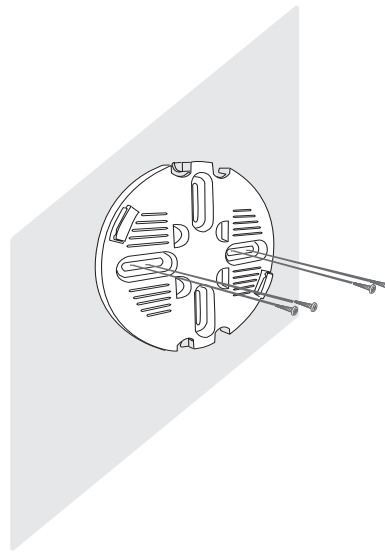
1



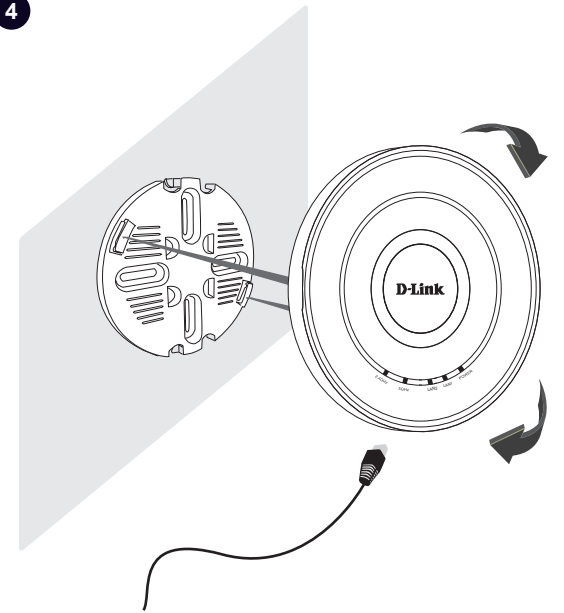
2



3



4

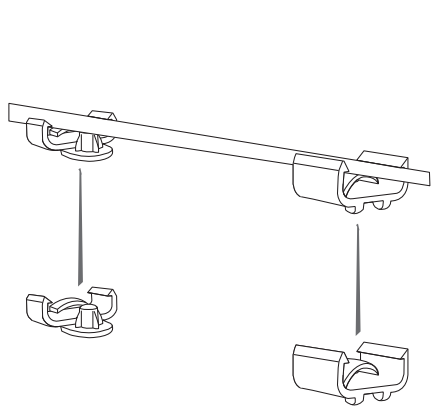


OR

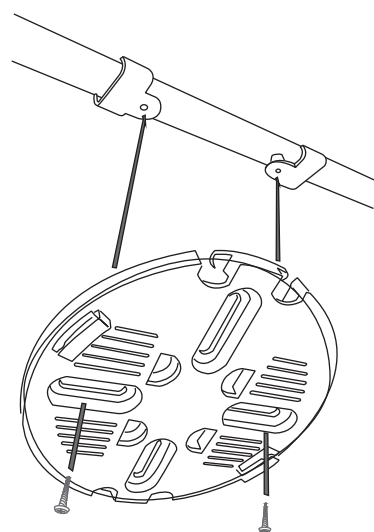


?

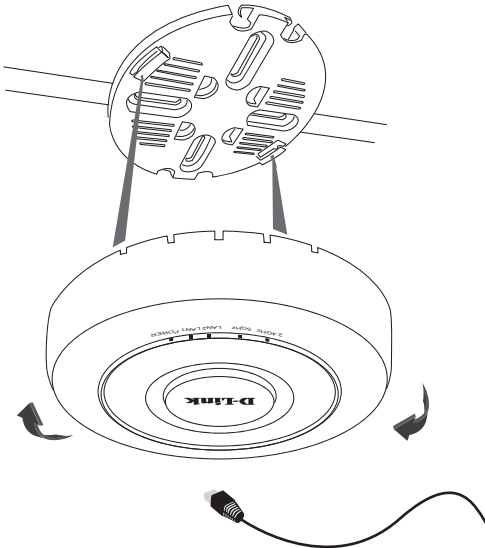
1



2



3



<https://www.dlink.com/support>



<https://www.dlink.com/warranty>