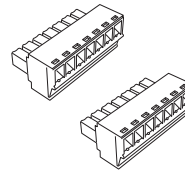
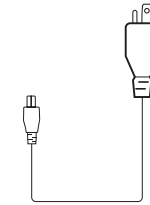
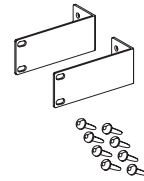


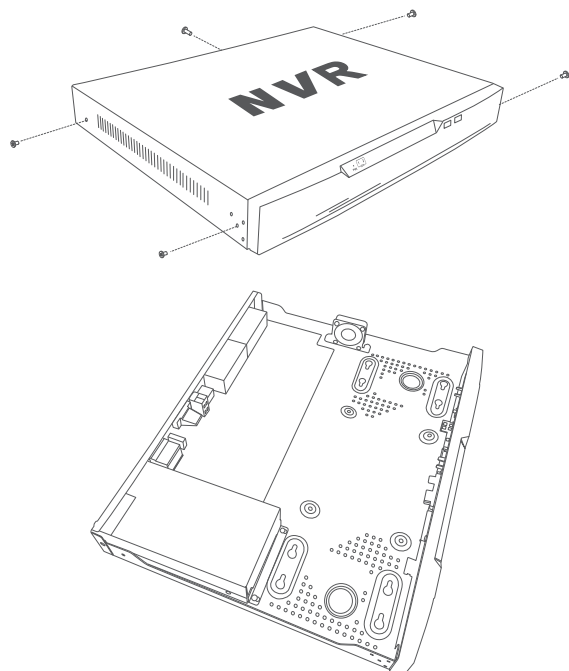


# Quick Start Guide

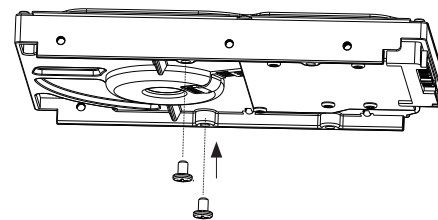
DNR-4020-16P



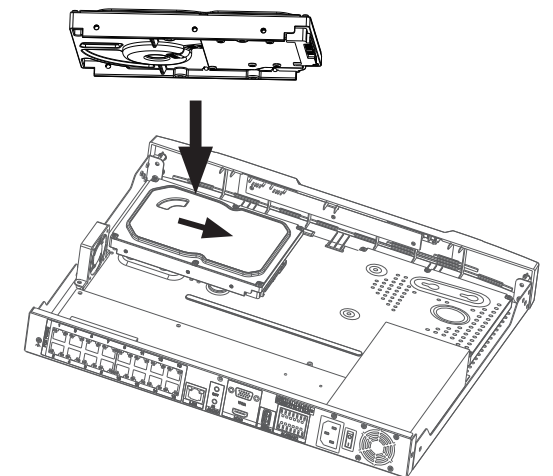
1



2

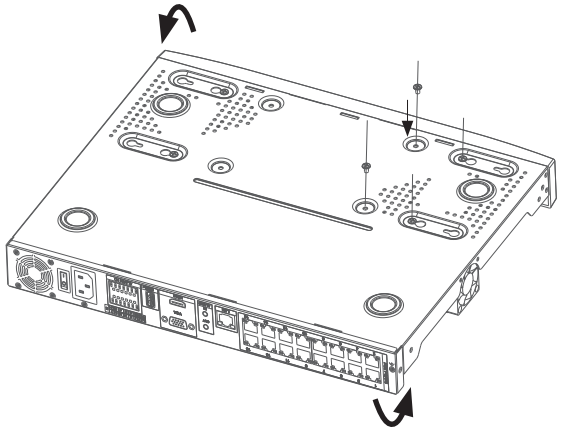


3

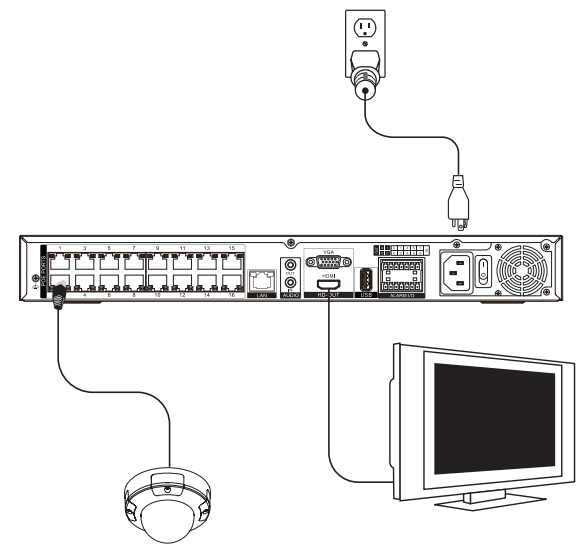




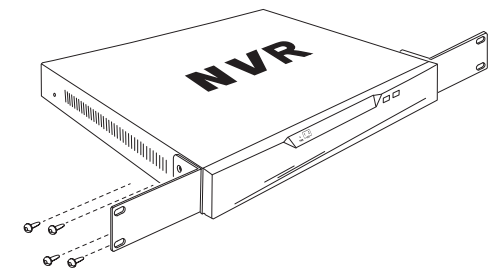
4



5

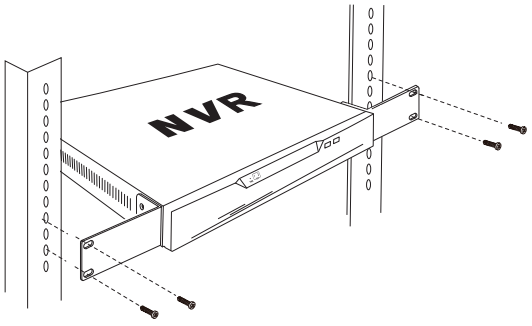


1



?

2



<https://eu.dlink.com/support>



<https://www.dlink.com/warranty>



<https://eu.dlink.com/DNR-4020-16P>