

DIP-Schalter Einstellung 2x DMC-700SC / DMC-810SC

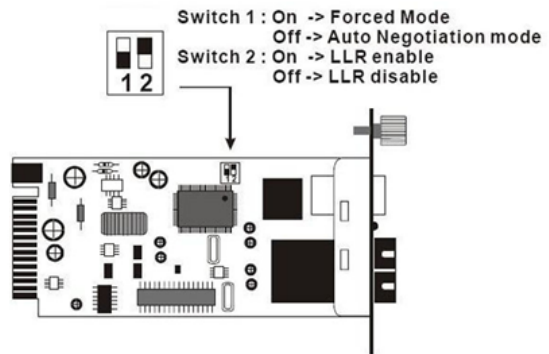


Media Konverter A

- Switch 1: **ON** (Forced Mode)
- Switch 2: **ON** (LLR enable)

Media Konverter B

- Switch 1: **ON** (Forced Mode)
- Switch 2: **OFF** (LLR disable)



LLR (Link Loss Return)

Forced Mode- feste Geschwindigkeit