

Features

- On-screen Display (OSD)
- Supports daisy chaining with up to 3 cascade levels. Cascaded units do not require a special configuration.
- Keyboard emulation prevents boot errors
- Supports hot-plugging: All devices connected to the KVM can be added or removed at any time without shutting down the KVM.
- Select a PC to switch to using one of 3 interfaces:
 - Front Panel Button
 - Hot-Keys on a PS/2 keyboard
 - OSD Menu (On Screen Display)
- LED display for PC and/or server status monitoring

Compatibility

- Fully compliant with USB 1.1/ 2.0 specifications
- Support for Windows, Linux, Mac OS 9/ OS X, and Sun Microsystems Operating Systems
- Rack mountable in 19" system rack (1U)
- Monitor resolutions of up to 2048 x 1536

¹ Daisy-chain configuration using KVM-450

PS2/USB 8/16 Port Combo KVM Switch



The D-Link PS2/USB 8/16 Port Combo KVM Switch is a high-end local remote management solution which allows you to control up to 4096* PCs from a single console.

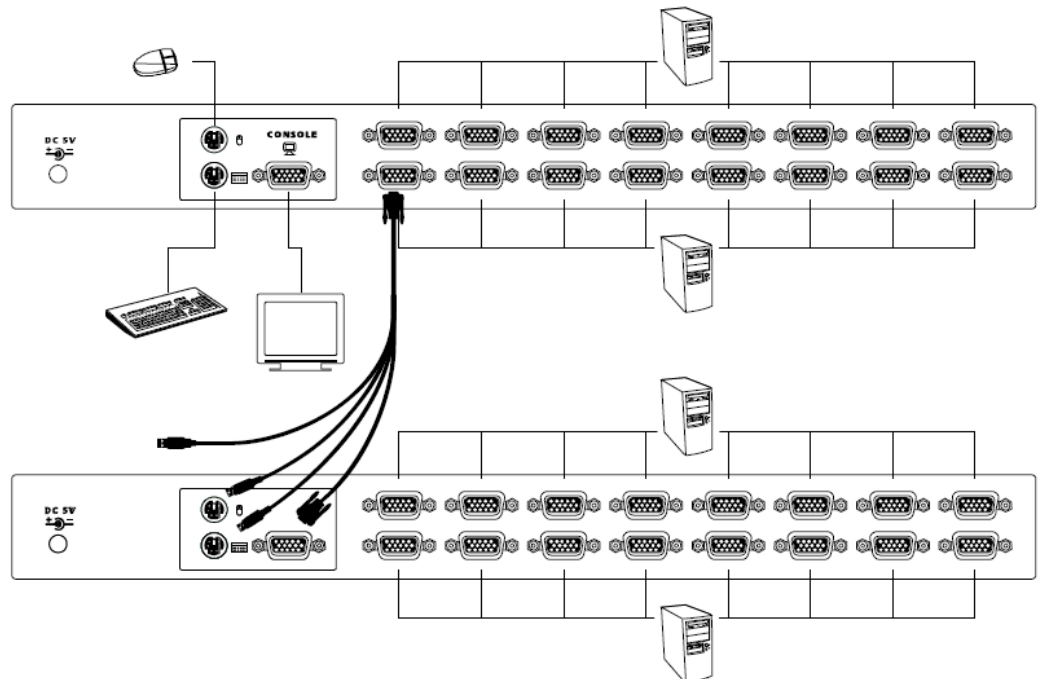
Versatile Management

Toggle between clients using the front panel buttons, keyboard hotkeys, or On-screen Display (OSD) menu. The on-screen menu allows you to label each channel with a descriptive name, providing clear and easy navigation. A convenient Auto-Scan function allows you to automatically toggle between multiple computers sequentially at preset intervals. The front panel LEDs assist with workstation/server status monitoring. Green LEDs indicate that systems are online, while separate red LEDs indicate when a particular system has been selected for management via console.

Convenient Installation

The sturdy metal chassis is mountable in a standard 19" rack. Daisy chain multiple KVM switches together up to three levels deep; cascaded units require no special configuration and automatically configure themselves as master or slave. Target workstations can be connected via keyboard/mouse or PS/2 using a custom combo cable. A PS/2 or USB keyboard is emulated on each terminal allowing all attached computers to successfully boot without keyboard errors. Hot-pluggable connections allow you to add devices to or remove them from the KVM switch without the need to shut it down.

Example: Cascade Chaining Configuration



Technical Specifications

KVM-440

KVM-450



| | | | |
|---------------------------------------|-----------------------|---|--------------------|
| Number of Computers Controlled | | 8 | 16 |
| Selection Method | | Push Button and Hot-Key (PS/2 Keyboard) or On-Screen-Display (OSD) | |
| LEDs | | Red for PC Selected Green for PC On-line/Ready | |
| PC Connectors | Video | 8 x HDB-15 female | 16 x HDB-15 female |
| | Keyboard/Mouse | PS/2 & USB Signal Combined | |
| Console Ports | Keyboard | 1 x 6 pin mini-DIN female | |
| | Mouse | 1 x 6 pin mini-DIN female | |
| | Video | 1 x HDB-15 female | |
| Firmware Upgrade Port | | Mini USB | |
| Auto-Scan Interval | | Adjustable time setting by OSD menu | |
| DDC, DDC2 monitor | | Maximum resolution up to 2048 x 1536 @ 65 Hz | |
| Hot-swappable | | Yes | |
| Operating Systems Supported | | Windows 98SE/ME/2000/2003/2008/XP/Vista/7 Linux, Mac OS 9/OS X and Sun Microsystems | |
| Power | | By external power adapter | |
| Dimensions (L x W x H) | | 44 x 15.7 x 4.5 cm (17.3 x 6.1 x 1.5 inches) | |
| Weight | | 1750 g | 1900 g |
| Housing Material | | Metal | |
| Operating Temperature | | 0-50°C (32°-122°F) | |
| Humidity | | 0%-80% Relative Humidity | |
| Certifications | | FCC, CE, C-Tick, IC, CSA | |



D-Link Corporation
 No. 289 Xinhu 3rd Road, Neihu, Taipei 114, Taiwan
 Specifications are subject to change without notice.
 D-Link is a registered trademark of D-Link Corporation and its overseas subsidiaries.
 All other trademarks belong to their respective owners.
 ©2010 D-Link Corporation. All rights reserved.
 Release 01 (March 2010)