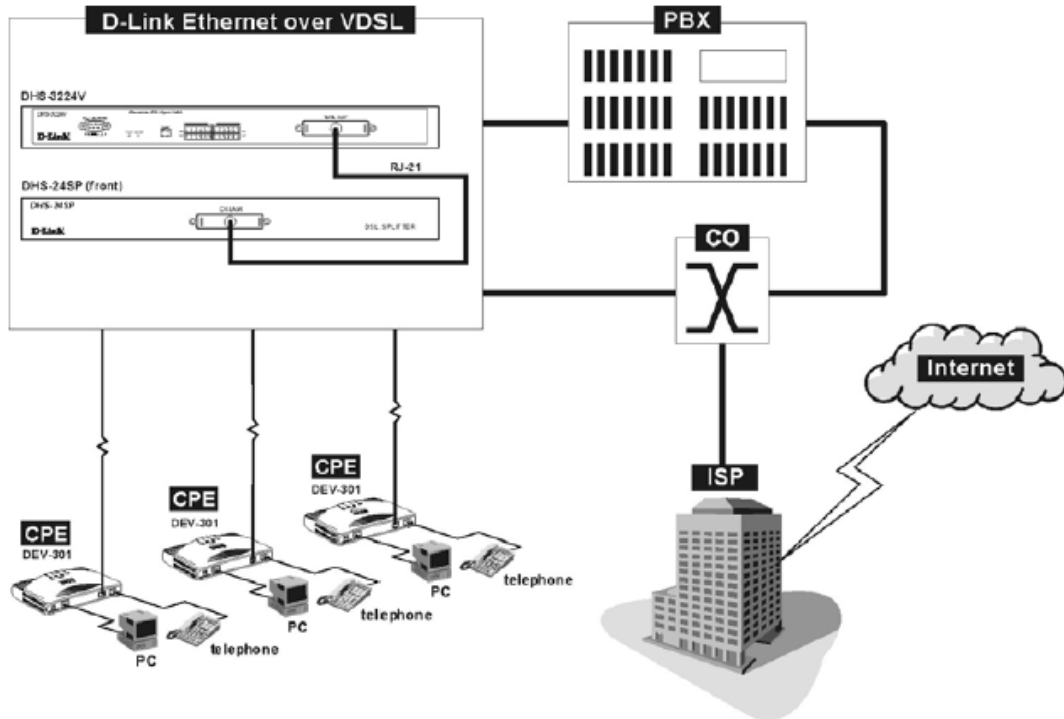


Quick Installation Guide [V-DSL@D-Link](http://www.dlink.com) (OS: WINxx)

DHS-3224V – DHS-3224VJ: Manageable Layer 2 V-DSL Switch

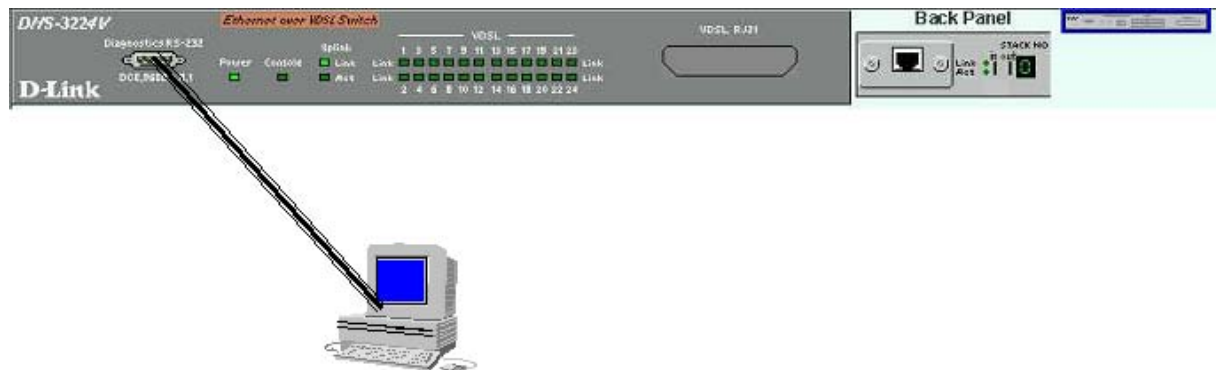


Implementation with Analog or Digital (2wire) PBX (2 Draht)

Solution components: Pieces of DHS-3224 + Pieces of DHS-24SP + Pieces of DEV-301 /DEV-304

Step 1: connect the components: Switch and PC

Connect your PC with RS-232 cable to COM1-Port and the console port from DHS-3224. (refer to picture below)



Start your PC – Start Hyperterminal - Connection speed: 9600 Bauds – Start DHS-3224.

```
DHS-3224V EoVDSL Switch Console Management
Copyright(C) 2001-2002 D-Link Corporation

Username: [ ]
Password: [ ]

*****
Function:Enter case-sensitive username.
Message:
CTRL+R = Refresh
```

Username and Password: empty

Step 2 : set or change IP Adress

```
DHS-3224V Local Management
-----
Main Menu

Basic Setup:
System Information
Switch Information
Remote Management Setup
Switch Settings
Configure Ports
Setup User Accounts
Serial Port Settings
Utilities
Network Monitoring
Save Changes
Reboot
Logout

Advanced Setup:
Spanning Tree
Unicast MAC Forwarding
Filtering
Priority
Multicasting
VLANs
VDSL Settings
Port Trunking
Port Mirroring

*****
Function:Setup and browse switch information.
Message:
For Help, press F1
```

Choose „Remote Management Setup“

```

Remote Management Setup
-----
Current Switch IP Settings:
Get IP From: Manual
IP Address: 10.90.90.90
Subnet Mask: 255.0.0.0
Default Gateway: 0.0.0.0
Management VID: 1

Management Station IP Settings:
IP Address:[0.0.0.0 ]
IP Address:[0.0.0.0 ]
IP Address:[0.0.0.0 ]

New Switch IP Settings:
Get IP From: <Manual>
IP Address: [10.90.90.90 ]
Subnet Mask: [255.0.0.0 ]
Default Gateway: [0.0.0.0 ]
Management VID: [1 ]

SNMP Community Settings:
Community String Rights Status
[public ]<Read> <Enabled >
[private ]<R/W > <Enabled >
[ ]<Read> <Disabled>
[ ]<Read> <Disabled>

SETUP TRAP RECEIVERS APPLY

*****
Function: Get IP from Manual, BOOTP or DHCP.
Message:
CTRL+T = Root screen Esc=Prev. screen CTRL+R = Refresh

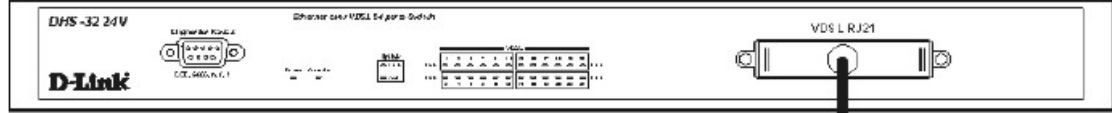
```

Note: after setting an IP Address, click on „Apply“ and click on „save change“ in the main menu

Step 3: Connect V-DSL components with your PBX

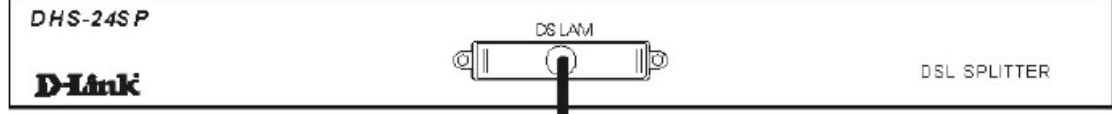
A)

DHS-3224V



RJ-21

DHS-24SP (front)



DSL SPLITTER

Fig: Switch connected with Splitter

B)

DHS-3224V(back)



10/100Base-TX to Ethernet Backbone

Power

Fig: Insert Fast oder Gigabit Ethernet Modul

Note: Power supply from all components have to be removed

C)

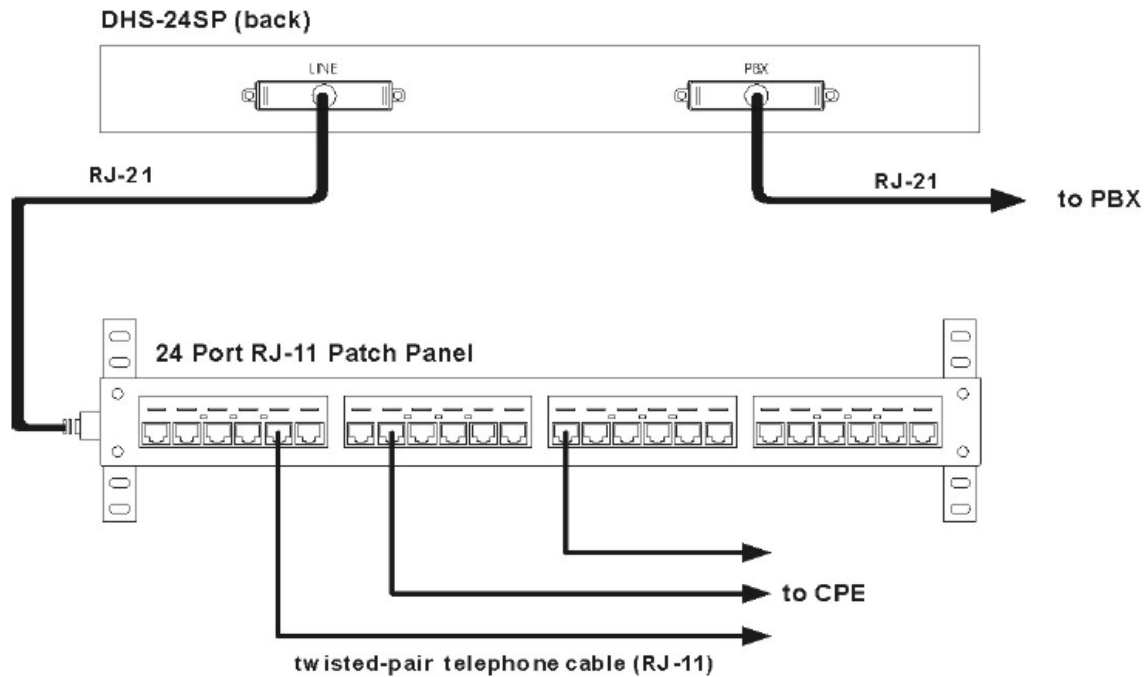


Fig.: Connect the CPES (DEV-301 / DEV-304)

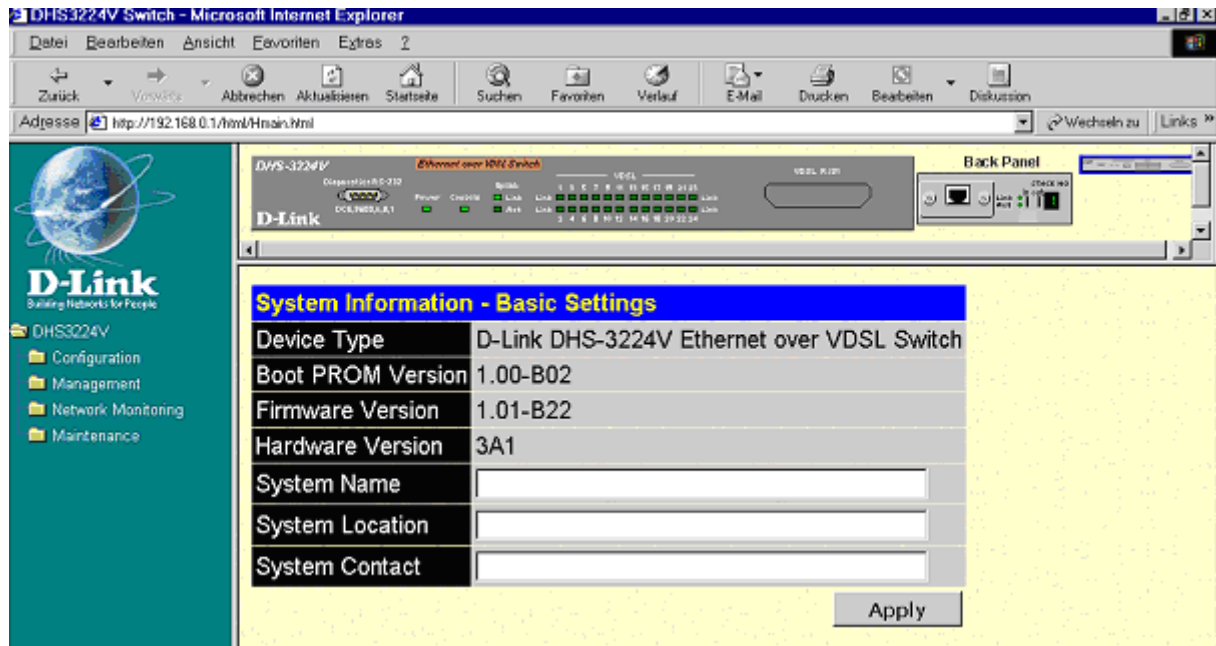
Step 4 Management and applications

A) Start your (explorer etc) – type the IP address of the V-DSL switch

Not: The IP address from your PC must be located in the same subnet as the switch
(Pc: 192.168.0.2 – switch: 192.168.0.1)



Fig: click on „Login“ and type your Username and password



B)

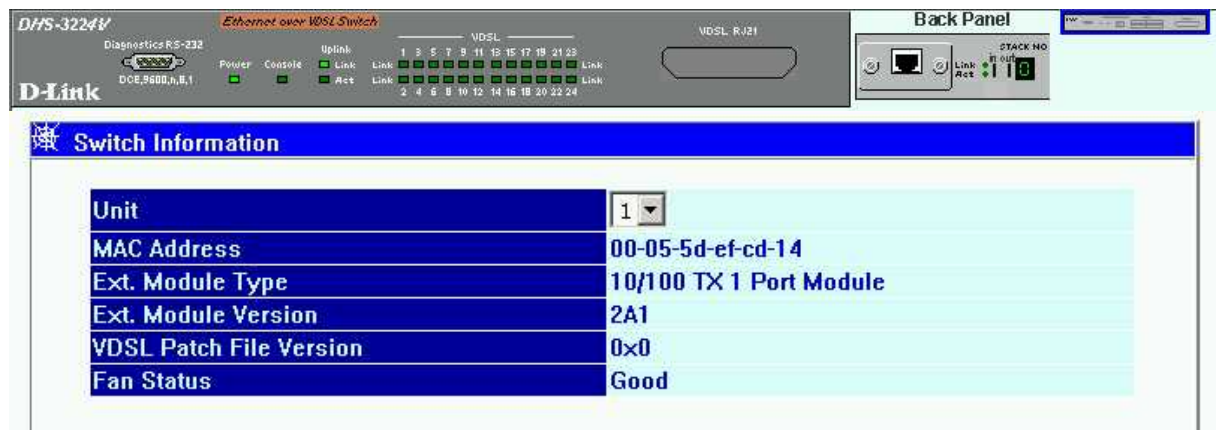


Fig: Switch Information

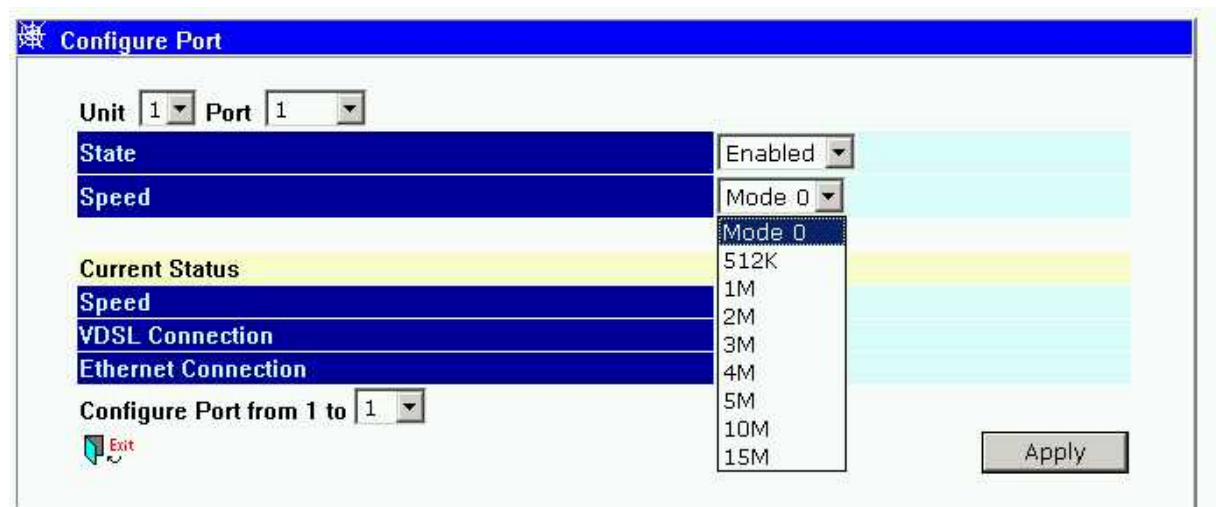


Fig: Port Konfiguration