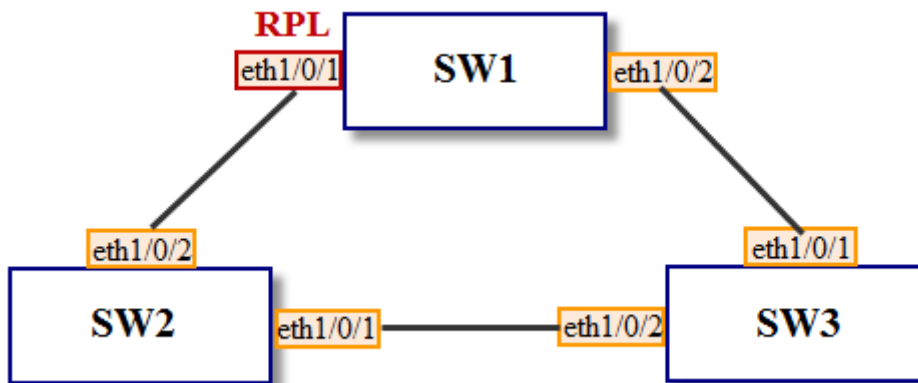


# HowTo: ERPS with DGS-1510

## [Requirements]

1. DGS-1510-xx with latest Firmware 1.33.x and higher
2. implemented VLAN configuration on the switches

## [Topologie]



**[ERPS configuration]**

**#SW2 and SW3:**

```
configure terminal
vlan 1-9
exit
interface range eth1/0/1-2
switchport mode trunk
switchport trunk allowed vlan 1-9
exit
ethernet ring g8032 Ring1
port0 interface eth1/0/1
port1 interface eth1/0/2
instance 1
r-aps channel-vlan 9
inclusion-list vlan-ids 1-8
activate
```

**#SW1-RPL Owner** (highlight the only difference by the red color)

```
conf t
vlan 1-9
exit
interface range eth1/0/1-2
switchport mode trunk
switchport trunk allowed vlan 1-9
exit
ethernet ring g8032 Ring1
port0 interface eth1/0/1
port1 interface eth1/0/2
instance 1
r-aps channel-vlan 9
inclusion-list vlan-ids 1-8
rpl port0 owner
activate
```

[Result]

After WTR timer passing, check the ERPS status on each DGS-1510.  
# SW1 (RPL owner)

```
SW1-RPL#sho ethernet ring g8032 status
Ethernet ring Ring1,instance 1
-----
Description:
MEL: 1
R-APS Channel: 9,Protected VLAN: 1-8
Profile:
Guard timer: 500 milliseconds
Hold-Off timer: 0 milliseconds
WTR timer: 5 minutes
Revertive
Instance State: Idle
Admin RPL: Owner
Operational RPL: Owner
Admin Port0: eth1/0/1
Operational Port0: eth1/0/1
Port0 State: Blocked
Admin Port1: eth1/0/2
Operational Port1: eth1/0/2
Port1 State: Forwarding
Admin RPL Port: Port0
Operational RPL Port: Port0

Total Entries: 1
```

#SW2

```
SW2#sho ethernet ring g8032 status
Ethernet ring Ring1,instance 1
-----
Description:
MEL: 1
R-APS Channel: 9,Protected VLAN: 1-8
Profile:
Guard timer: 500 milliseconds
Hold-Off timer: 0 milliseconds
WTR timer: 5 minutes
Revertive
Instance State: Idle
Admin RPL: -
Operational RPL: -
Admin Port0: eth1/0/1
Operational Port0: eth1/0/1
Port0 State: Forwarding
Admin Port1: eth1/0/2
Operational Port1: eth1/0/2
Port1 State: Forwarding
Admin RPL Port: -
Operational RPL Port: -

Total Entries: 1
```

#SW3

```
SW3#sho ethernet ring g8032 status
Ethernet ring Ring1,instance 1
-----
Description:
MEL: 1
R-APS Channel: 9,Protected VLAN: 1-8
Profile:
Guard timer: 500 milliseconds
Hold-Off timer: 0 milliseconds
WTR timer: 5 minutes
Revertive
Instance State: Idle
Admin RPL: -
Operational RPL: -
Admin Port0: eth1/0/1
Operational Port0: eth1/0/1
Port0 State: Forwarding
Admin Port1: eth1/0/2
Operational Port1: eth1/0/2
Port1 State: Forwarding
Admin RPL Port: -
Operational RPL Port: -

Total Entries: 1
```