



HD DAY & NIGHT VANDAL-PROOF FIXED DOME NETWORK CAMERA

MEGAPIXEL RESOLUTION

High-resolution images ensure that you capture all of the details that you need

WIDE DYNAMIC RANGE

Wide Dynamic Range technology neutralizes imperfect lighting, providing clear images with the right amount of contrast even when a subject is backlit

MOTORIZED VARIFOCAL AUTOFOCUS LENS

Focus and zoom can be quickly adjusted using the online user interface or remote management software

ROUND-THE-CLOCK SURVEILLANCE

The D-Link DCS-6511 is a high-definition fixed dome day and night network camera, ideal for small-to-medium business applications and remote monitoring over the Internet. The camera employs a superior CMOS sensor with low lux sensitivity to deliver a truly superior image quality under varied lighting conditions. The DCS-6511 is equipped with a BNC video connector for an analog video signal, and DI/DO (digital input/digital output) connectors for external alarms and sensors.

HIGH-QUALITY VIDEO FEEDS

To maximize bandwidth efficiency and improve image quality, the DCS-6511 provides real-time video compression using the MJPEG, MPEG-4 and H.264 codecs. Furthermore, the DCS-6511 supports 3 separate profiles for simultaneous video streaming and is capable of recording in MJPEG, MPEG-4 and H.264 compression at 1.3 megapixel resolution. This kind of versatility enables a wide variety of security applications. For example, keep an eye on your home during lunch through a 3GPP enabled mobile device, or fine-tune your security system in real-time over the local network. You may also remotely manage a directory of recorded video files on a network attached storage (NAS) device or SD card.

FLEXIBLE INSTALLATION

Power over Ethernet (PoE) connectivity allows for discreet installation in virtually any indoor location. This camera's built-in 802.3af compliant PoE module eases the installation process by reducing the need to drill holes or lay additional cabling. In addition, the 10/100BASE-TX Ethernet port seamlessly connects to local network or to the Internet via a gateway router. This camera can be accessed and viewed from any network place as a device on the network.

REMOVABLE IR CUT FILTER FOR CONTINUOUS MONITORING

The ICR Filter can be manually applied via the web, or set to automatically adjust based on lightning conditions. This feature allows the camera to capture crisp color images during the daytime, and grayscale images in low-light conditions.

ePTZ FOR SURVEYING REGIONS OF INTEREST

The ePTZ feature allows users to select a target region for close-up viewing simply by clicking on the video feed displayed within their browser. ePTZ makes use of the camera's megapixel resolution to survey a large area effortlessly. Since ePTZ requires no moving parts, there is no need to worry about the mechanical lifecycle of the camera.

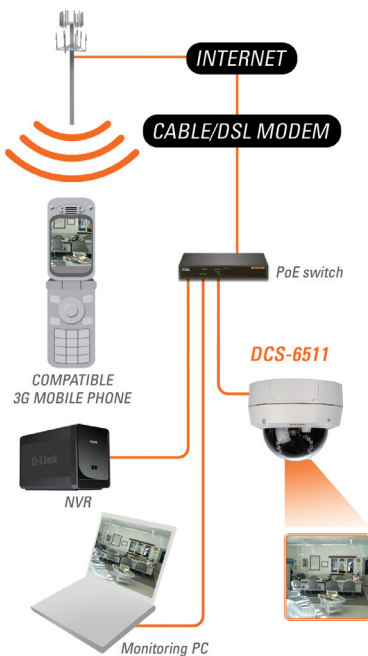
WHAT THIS PRODUCT DOES

The DCS-6511 HD Day & Night Vandal-Proof Fixed Dome Network Camera is a professional IP surveillance solution which connects to your network to provide high-quality live video over the Internet. A low lux sensor and ICR technology ensure that the images captured are clear and sharp at all times of the day or night.

KEY FEATURES

- HD resolution: 1280x1024 1.3 Megapixel
- Built-in IR LED to support dark environments with 0 lux minimum illumination
- Built-in heat and fan for outdoor environment
- Up to 30 Frames Per Second
- IR-Cut Removable (ICR) Filter for Day/ Night
- Support for multiple simultaneous streams
- Built-in Samba Client
- SD Card Slot
- Digital I/O support for Sensors and Alarms
- Built-in 802.3af PoE
- Support for ePTZ
- Advanced Security and Network Management
- 3 Configurable Privacy Masks
- Support for Motion Detection
- Flip & Mirror Images

YOUR NETWORK SETUP



TECHNICAL SPECIFICATIONS

GENERAL SPECIFICATION

- 1/3" Megapixel WDR Progressive Scan CMOS
- WDR SN ratio: 100 dB
- Motorized varifocal autofocus lens 3.3 ~ 12 mm, F1.4 ~ F360C

VIEW ANGLE

- Vertical 63.6° (W) ~ 17.9° (T)
- Horizontal 89.8° (W) ~ 23.9° (T)
- Diagonal 125.7° (W) ~ 29.9° (T)

IR LED

- 20 meter illumination distance with 12 LEDs and light sensor

MINIMUM ILLUMINATION:

- Color: 0.2 lux @ F1.4
- B/W: 0.02 lux @ F1.4
- B/W: 0 lux with IR LED on

3-AXIS ANGLE:

- Vertical: 120
- Horizontal: 340
- Rotational: 300

SYSTEM REQUIREMENTS

- Operating System: Microsoft Windows XP, Vista, Windows 7
- Internet Explorer 6 or above, Firefox 3.5 or above, Safari 4

NETWORKING PROTOCOL

- IPv4, DHCP, ARP, DNS, TCP/IP, DDNS (D-Link), HTTP, HTTPS, UPnP™ Port Forwarding, Samba, SMTP, PPPoE, NTP (D-Link), FTP, RTP, RTSP, UDP, RTCP, ICMP, 3GPP

BUILT-IN NETWORK INTERFACE

- 10/100BASE-TX Fast Ethernet

VIDEO CODECS

- H.264
- MPEG4
- MJPEG
- JPEG for still images

RESOLUTION (UP TO 30 FPS)

- 1280x1024
- 1280x720
- 640x480
- 320x240
- 160x120

VIDEO FEATURES

- Adjustable image size, quality and bit rate
- Time stamp and text overlays
- 3 configurable privacy masks
- Flip & mirror
- ePTZ

AUDIO CODECS

- G.726

POWER INPUT

- 12 V DC 1.25 A
- 24 V AC
- 802.3af PoE

PHYSICAL AND ENVIRONMENTAL

- IP-66 weather-proof standard
- IK-10 vandal-proof standard
- Built-in heater and fan

WEIGHT

- 1030.5 g

STANDARD MOUNTING BRACKET

- Height: 23 mm (0.9 inches)
- Diameter: 183 mm (7.2 inches)
- Weight: 400 g (0.9 lbs)

OPERATING TEMPERATURE

- -40 to 50 °C (-40 to 122 °F)

STORAGE TEMPERATURE

- -20 to 70 °C (-4 to 158 °F)

RELATIVE HUMIDITY

- 20% to 80% non-condensing

CERTIFICATIONS

- FCC
- IC
- C-Tick
- CE
- LVD

MOUNTING ACCESSORIES (NOT INCLUDED WITH CAMERA)

- DCS-34-2
 - Height: 201 mm (7.9 inches)
 - Diameter: 150 mm (5.9 inches)
 - Weight: 665 g (1.45 lbs)
- DCS-34-3
 - Height: 253 mm (9.96 inches)
 - Diameter: 150 mm (5.9 inches)
 - Weight: 770 g (1.7 lbs)

3GPP MOBILE SURVEILLANCE

Support for 3GPP Mobile Surveillance allows you to view a live video feed from your 3GPP compatible Internet-ready mobile device. This extends your monitoring capability, allowing you to check your camera's video feed while on the go.

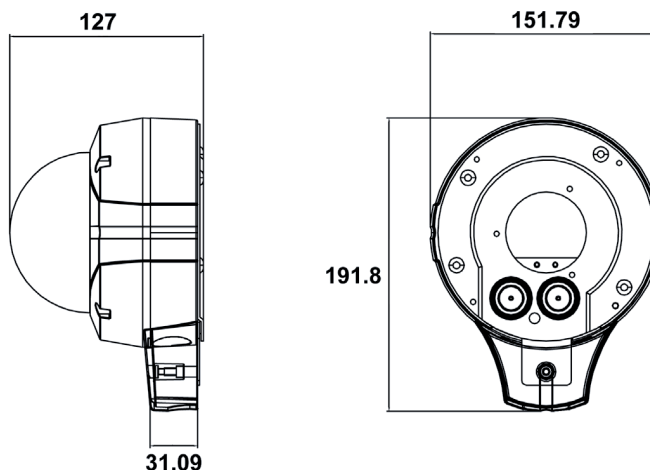
D-VIEWCAM™ FEATURES

- Manage up to 32 cameras at once
- Adjustable image size and quality
- Custom recording schedules
- Event notifications
- Upload a customized floor plan

EVENT MANAGEMENT

- Motion detection by weekly schedule
- Event notification and upload snapshots/video clips via HTTP, SMTP or FTP
- Multiple HTTP, SMTP, or FTP server configuration
- Multiple event notification
- Multiple recording methods for easy backup

CAMERA DIMENSIONS



Standard Mounting Bracket



OPTIONAL ACCESSORIES*

Pendant Mount



DCS-34-2

Bent Mount



DCS-34-3

*not included with camera



D-Link Corporation
No. 289 Xinhua 3rd Road, Neihu, Taipei 114, Taiwan
Specifications are subject to change without notice.
D-Link is a registered trademark of D-Link Corporation and its overseas subsidiaries.
All other trademarks belong to their respective owners.
©2010 D-Link Corporation. All rights reserved.
Release 01 (October 2010)