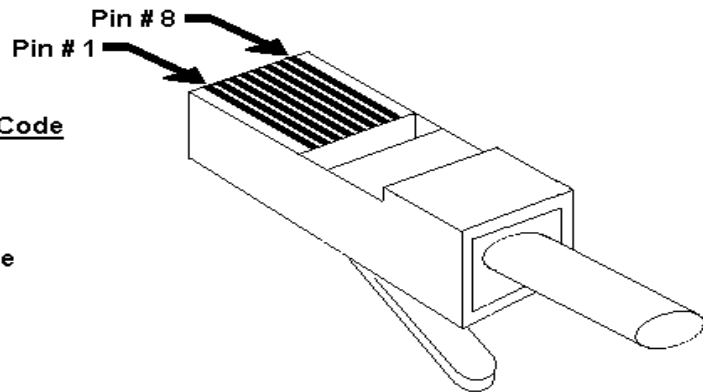


568B Specification - Cable Fabrication Instructions

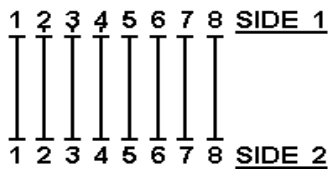
RJ-45 Connector Pin Identification



CAT 5 Cable Pairs Color Code

- Pair # 1 { Blue
White/Blue
- Pair # 2 { White/Orange
Orange
- Pair # 3 { White/Green
Green
- Pair # 4 { White/Brown
Brown

Straight Cable



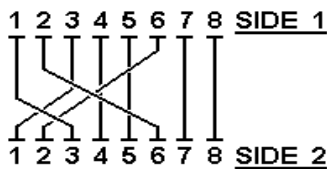
SIDE 1

- 1 = White/Orange — Pair #2
- 2 = Orange — Pair #2
- 3 = White/Green — Pair #3
- 4 = Blue — Pair #3
- 5 = White/Blue — Pair #1
- 6 = Green — Pair #1
- 7 = White/Brown — Pair #4
- 8 = Brown — Pair #4

SIDE 2

- 1 = White/Orange — Pair #2
- 2 = Orange — Pair #2
- 3 = White/Green — Pair #3
- 4 = Blue — Pair #3
- 5 = White/Blue — Pair #1
- 6 = Green — Pair #1
- 7 = White/Brown — Pair #4
- 8 = Brown — Pair #4

Cross Over Cable



SIDE 1

- 1 = White/Orange — Pair #2
- 2 = Orange — Pair #2
- 3 = White/Green — Pair #3
- 4 = Blue — Pair #3
- 5 = White/Blue — Pair #1
- 6 = Green — Pair #1
- 7 = White/Brown — Pair #4
- 8 = Brown — Pair #4

SIDE 2

- 1 = White/Green — Pair #3
- 2 = Green — Pair #3
- 3 = White/Orange — Pair #2
- 4 = Blue — Pair #2
- 5 = White/Blue — Pair #1
- 6 = Orange — Pair #2
- 7 = White/Brown — Pair #4
- 8 = Brown — Pair #4