

High Gain Directional Panel Antenna

for 2.4 ISM Band

Version 1.1

ANT24-1800

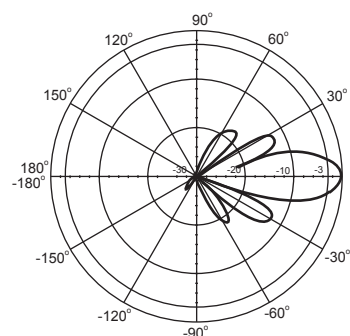
Electrical Specification

Frequency range	2400MHz - 2500MHz
Gain	18 dBi
VSWR	1.5 : 1 Max.
Polarization	Linear, vertical
HPBW / horizontal	15°
HPBW / vertical	15°
Front to back ratio	26 dB
Downtilt	0°
Power handling	50 W (cw)
Impedance	50 Ohms
Connector	N female

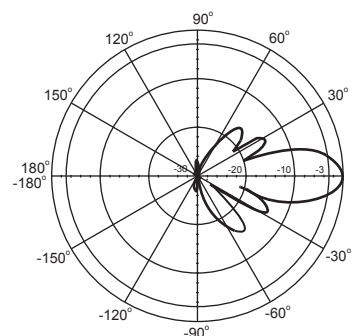


Environmental & Mechanical Characteristics

Survival wind speed	180 km/hr
Temperature	- 40° C to +80° C
Humidity	100% @ 25° C
Lightning protection	DC ground
Radome color	White
Radome material	ABS, UV resistant
Housing material	Galvanized Iron
<input type="checkbox"/> <input type="checkbox"/> <input type="checkbox"/>	fire retardant
Weight	3.25 kgw <input type="checkbox"/>
Dimensions	360 x 360 x16 mm ³



Vertical



Horizontal