

# High Gain Directional Panel Antenna for 2.4 GHz ISM Band

Version 1.1

## ANT24-1200

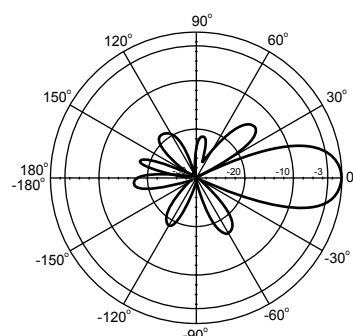
### Electrical Specification

Frequency range	2400 MHz - 2500 MHz
Gain	12 dBi
VSWR	1.5 : 1 Max.
Polarization	Linear, vertical
HPBW / horizontal	80°
HPBW / vertical	23°
Front to back ratio	15 dB
Downtilt	0°
Power handling	50 W (cw)
Impedance	50 Ohms
Connector	SMA female

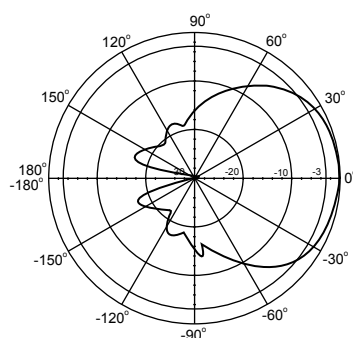


### Environmental & Mechanical Characteristics

Survival wind speed	180 km/hr
Temperature	- 40° C to +80° C
Humidity	100% @ 25° C
Lightning protection	DC ground
Radome color	White
Radome material	ABS, UV resistant
Weight	0.19 kgw □
Dimensions	330 x 93 x 20.7 mm



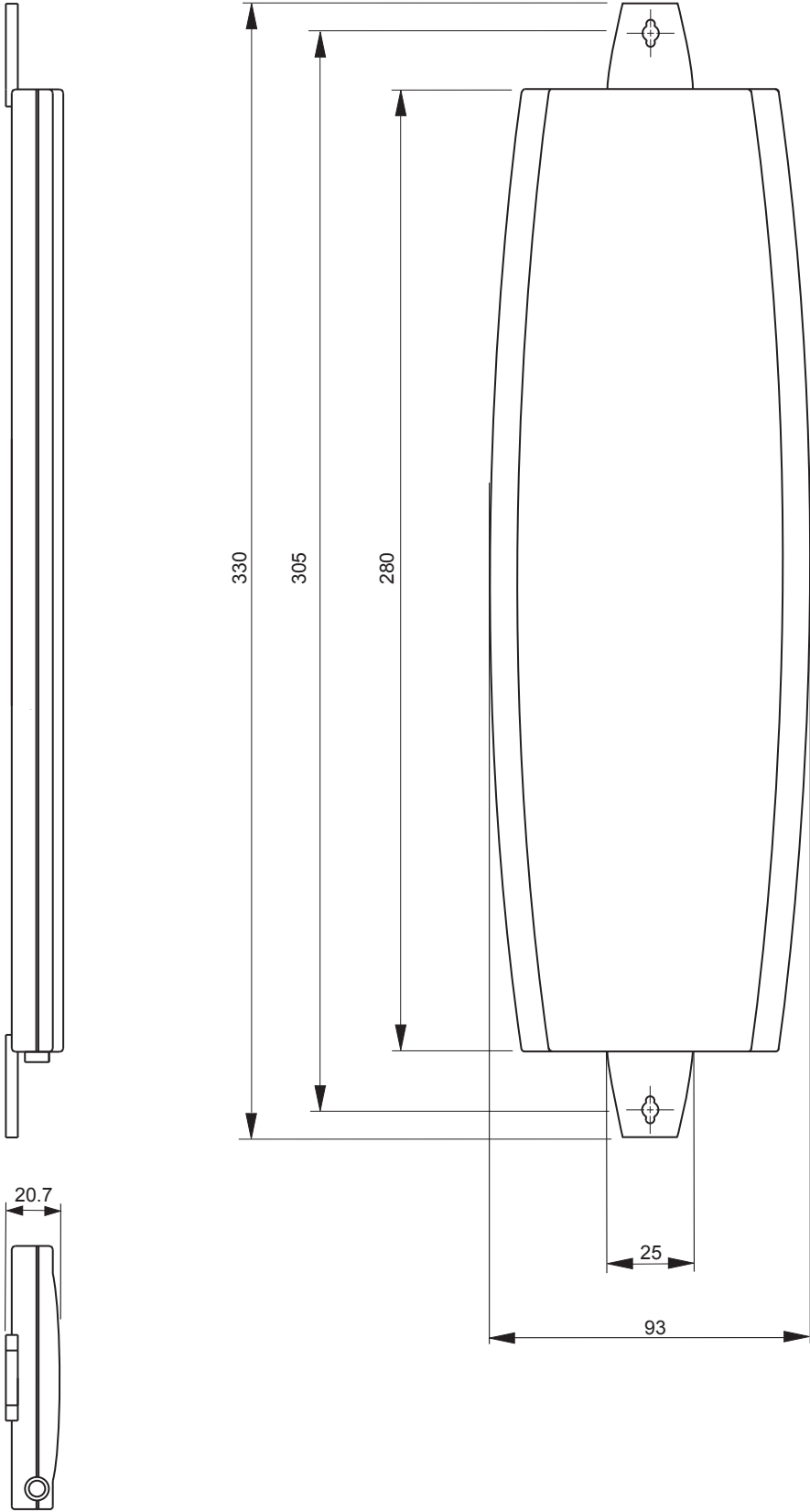
Vertical



Horizontal

# Dimensions ( mm )

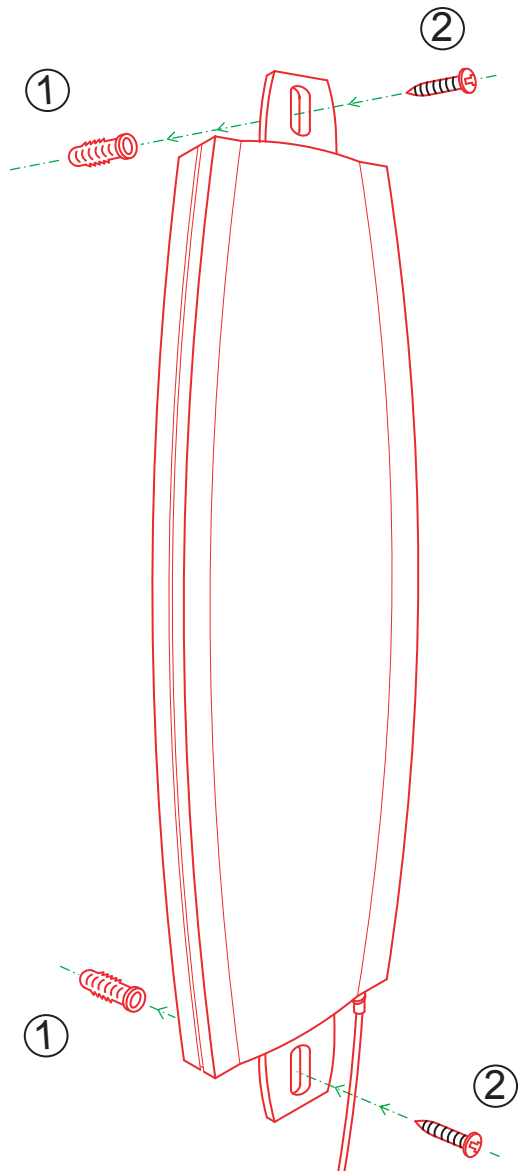
---



# High Gain Directional Panel Antenna for 2.4 GHz ISM Band

Version 1.0

## Mounting Configuration



Outdoor / indoor wall mount

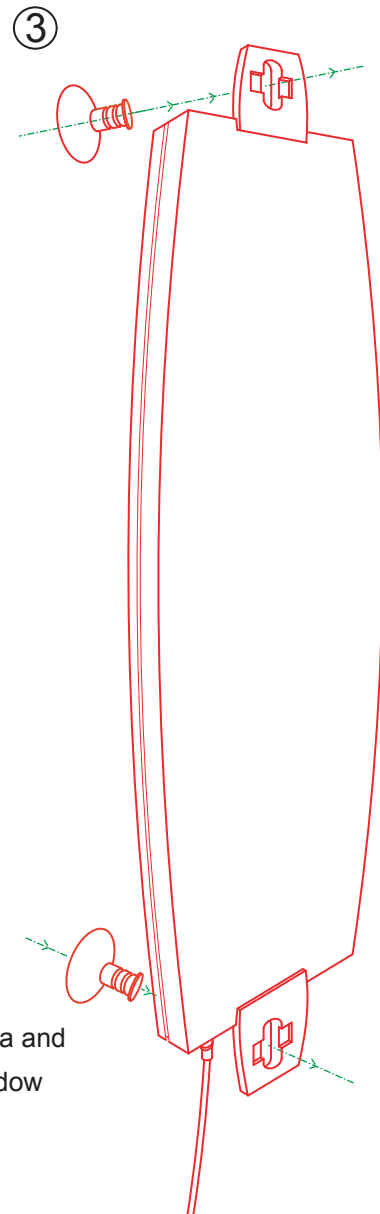
① Plastic wallplug

② Screw

Installation information

a. Insert plug in wall

b. Insert screw through antenna  
into plug and tighten



Indoor window mount

③ Window suction cup

a. Put ③ through the antenna and  
press onto the window